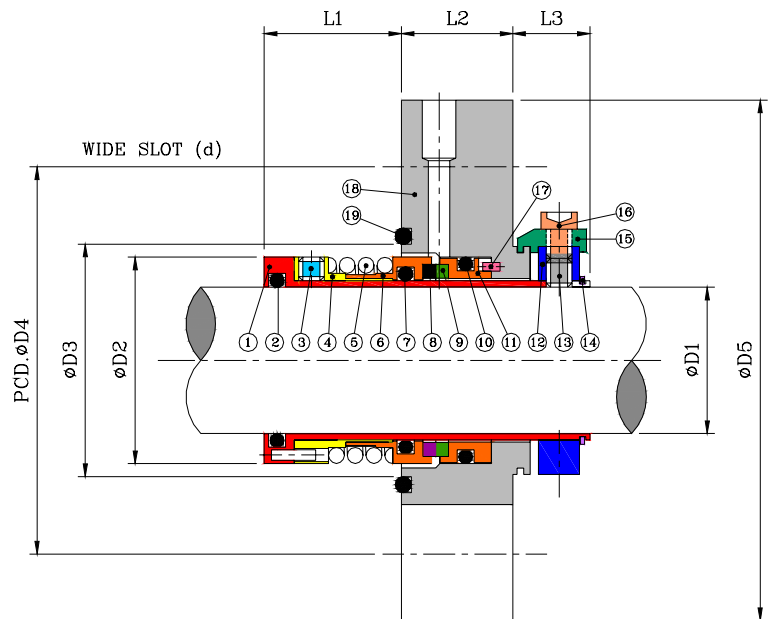


Type-150



Design Features

- Due to the cartridge construction the seal can be easily installed.
- The positive drive is designed for protecting secondary seal slip on shaft or sleeve.
- Non-clogging single coil spring for dependability.
- Seal faces are fastened by a patented thermal heat shrink method, ensuring correct face alignment at all temperatures recommended for this seal.
- A flushing fluid injected into the seal chamber for clean seal faces.

Operating Conditions

- Max. Operating Pressure : 10 kg/cm² *
- Temperature Range : -20 to 100 °C *
- Max. Rubbing Speed : 10 m/sec

*(Depend on combination of materials)

Standard Materials

- Metal Parts : 316 SS
- Springs : 316 SS
- Rotary Face : Tungsten Carbide
- Stationary Face : Tungsten Carbide
- Secondary Seals : Fluorocarbon Rubber

*Other configuration of materials also available on request.

Seal Size (D1)	D2	D3	D4	D5	L1	L2	L3	d
20	37.0	41.5	62.5	88	35	18.5	17	11
22	39.0	43.5	64.5	90	35	18.5	17	11
24	41.0	44.5	66.5	92	35	18.5	17	11
25	43.0	45.5	67.5	93	35	18.5	17	11
28	46.0	48.5	70.5	96	35	18.5	17	11
30	46.0	54.0	75.0	112	41	18.5	17	11
32	50.0	54.0	77.5	114	42	18.5	17	11
33	51.0	55.0	78.5	114	42	20.5	17	11
35	53.0	57.0	82.0	114	42	20.5	17	14
38	56.0	60.0	84.0	114	42	20.5	17	14
40	58.0	60.0	86.0	127	45	20.5	17	14
43	62.0	60.0	92.0	127	48	20.5	17	14
45	64.0	68.0	95.0	135	51	20.5	17	14
48	68.5	74.0	98.0	137	53	20.5	17	14
50	69.0	75.0	100.0	139	57	20.5	17	14
53	70.0	76.0	101.0	152	57	20.5	17	14
55	77.0	86.0	114.0	152	57	20.5	17	14
58	80.0	88.0	116.0	152	57	20.5	17	17
60	81.0	89.0	118.0	152	57	20.5	17	17
65	88.0	95.0	123.0	152	57	20.5	17	17

* Inch size is available upon request.